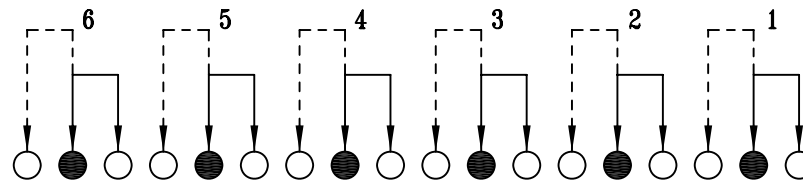
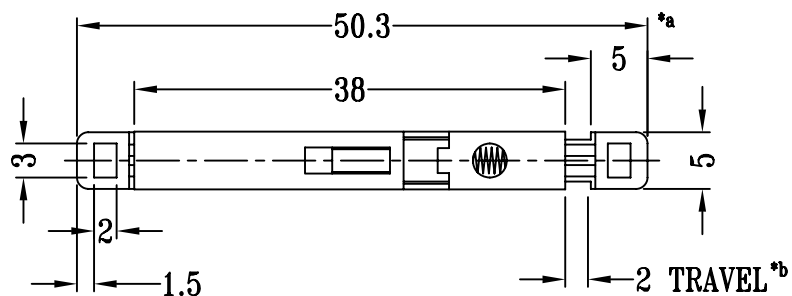


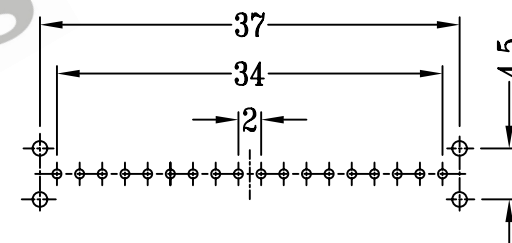
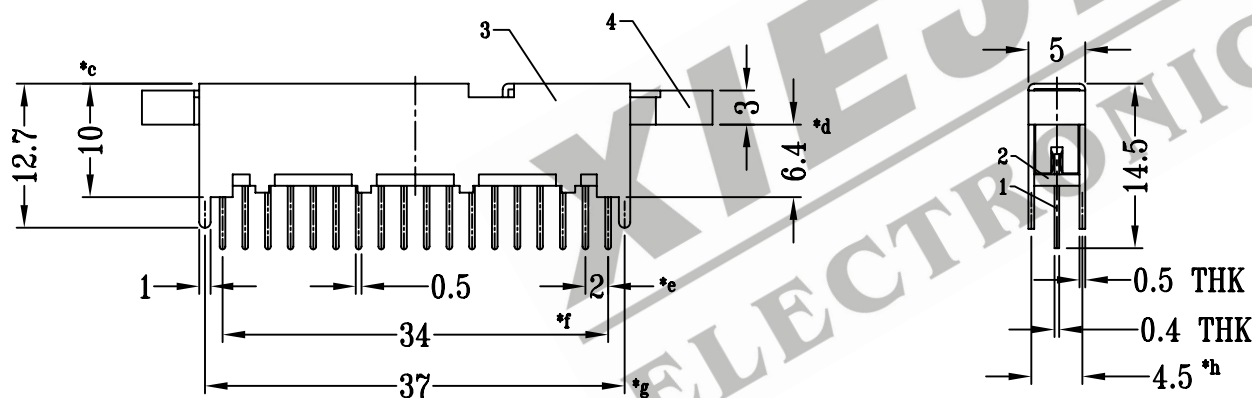
CAD FILE:



SCHEMATIC

NON-SHORTING : 1 . 3 . 5 . 6

SCHEMATIC : 2 . 4



P.C.B LAYOUT

注:带"*"表示关键尺寸(8个)

8					TOLERANCE UNLESS SPECIFIED	SHENZHEN XIEJIA ELECTRONICS CO.,LTD.				
7										
6	SPRING	STEEL WIRE	1	NATURAL	WITHIN : 1.5±0.1mm OVER : 1.5±0.2mm	ISSUE	DATE	DESCRIPTIONS OF REVISION		APPD.
5	CONTACT CLIP	PBS	6	Ag PLATED						
4	KNOB	NYLON+F.G+94V0	1	BLACK	TITLE : PUSH SWITCH		UNIT : mm	DRWG NO.: XJ-DR-PS62D11-00		
3	FRAME	STEEL STRIP	1	Ni PLATED						
2	BASE	PHENOLIC RESIN	1	NATURAL	MODEL: PS-62D11		SCALE: 3:2	DWN.	ZHOUYU	2003-7-1
1	TERMINAL	BRASS STRIP	18	Ag PLATED OVER Ni PLATED				CHK'D	FANGYING	2003-7-1
NO.	PARTS	MATERIALS	Q'TY	FINISH	ALL MATERIALS MUST BE COMPLIANT TO ROHS			APPD.	KANGXINAN	2003-7-1